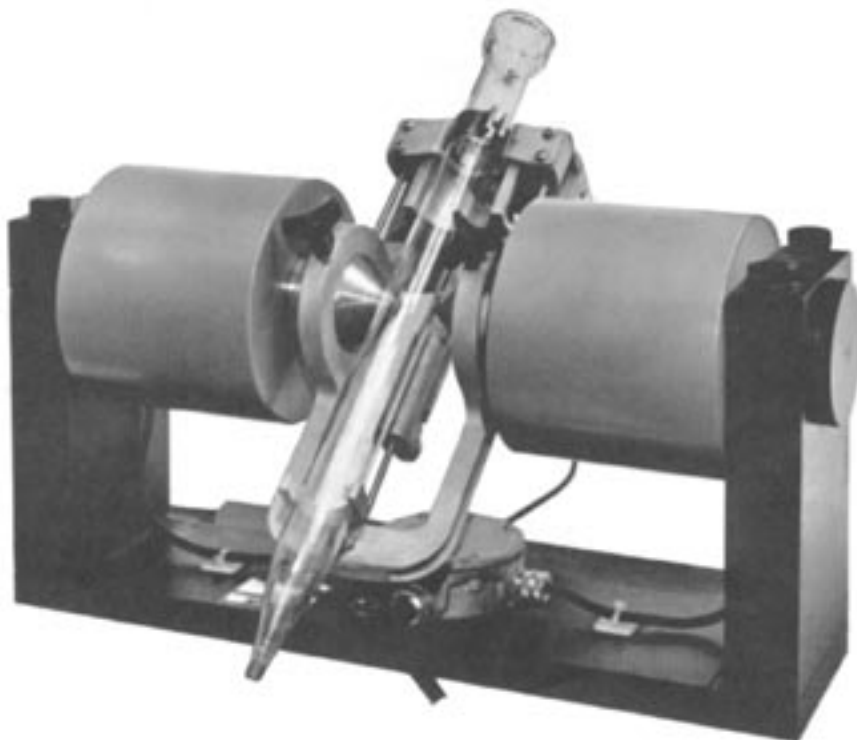




# DAVIS TUBE TESTER

## MODEL EDT

*For determining magnetic separation characteristics of magnetic iron ores and for checking plant concentrate and tailing quality.*



ONLY FROM ERIEZ

Eriez' Davis Tube Tester Model EDT is an indispensable laboratory unit for determining the ferro-magnetic and non-magnetic fractions of small samples of crushed magnetic iron ore, magnetite, pyrrhotite, etc. It is helpful in determining mesh of liberation, selectivity index, grade and recovery of ferro-magnetic compounds. In operating plants, it serves as a control device by determining plant concentrate

and tailing quality. Field intensity of 4000 gauss in the center of the gap of the model EDT Tube Tester guarantees superior performance and consistent results. Variable speed of oscillation from one to 90 cycles and adjustable angle of operation from horizontal to 45° provide flexibility to suit established laboratory procedures and personal preference. Tube rotation of 120° and stroke of 2" (51mm) are fixed standards.

## OPERATION

With the magnet energized, a dry, crushed sample of ore is introduced to the water-filled tube. The tube is then oscillated while a gentle flow of water through the tube washes out non-magnetics. Magnetics are caught and held in the tube between the magnet poles. After sufficient washing the tube is removed from the separator and the magnetics are flushed out, collected and dried.

## EQUIPMENT FURNISHED

1 extra glass tube  
10 feet (3m) rubber hose  
2 hose clamps  
2 aluminum pans  
1 measuring cup  
1 rubber stopper 2" (51mm) in diameter

## SPECIFICATIONS & DIMENSIONS

### ELECTRICAL

Magnet voltage	115V DC
Magnet wattage	230
Magnet amperage	2
Motor voltage	90V DC
Motor	1/30 hp, rheostat controlled

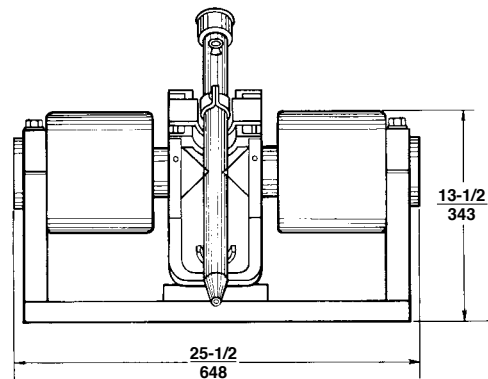
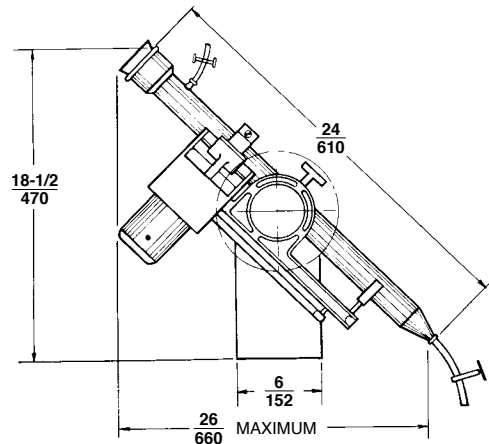
### MECHANICAL

Tube diameter	1-1/2" (38mm) ID, 1-19/32" (40mm) OD
Tube inclination	adjustable - normally operated at approx. 45°
Gauss intensity	4000 gauss in center of gap
Tube oscillation	variable from 1 to 90 cycles
Tube rotation	120°
Tube stroke	2" (51mm)
Shipping weight	250 lb (113kg)

### CONTROL

Voltage	115V AC
Shipping weight	50 lb (23 kg)

*Dimensions and specifications are subject to change without notice.*



Eriez and Eriez Magnetics are registered trademarks of Eriez Manufacturing Co., Erie, PA  
©2005 Eriez Magnetics • All Rights Reserved

**Web Site:** <http://www.eriez.com>

**e-mail:** [eriez@eriez.com](mailto:eriez@eriez.com)

Telephone 814/835-6000 • 800/345-4946 • Fax 814/838-4960 • International Fax 814/833-3348

HEADQUARTERS: 2200 Asbury Road, P.O. Box 10608, Erie, PA 16514-0608 U.S.A.

MANUFACTURING: Australia • Brazil • Canada • China • India • Japan • Mexico • South Africa • United Kingdom • United States

**World Authority in Advanced Technology for Magnetic, Vibratory and Metal Detection Applications**

